



record-usa
 4324 PHIL HARGETT CT.
 MONROE, NC 28110
 (704) 289 - 9212

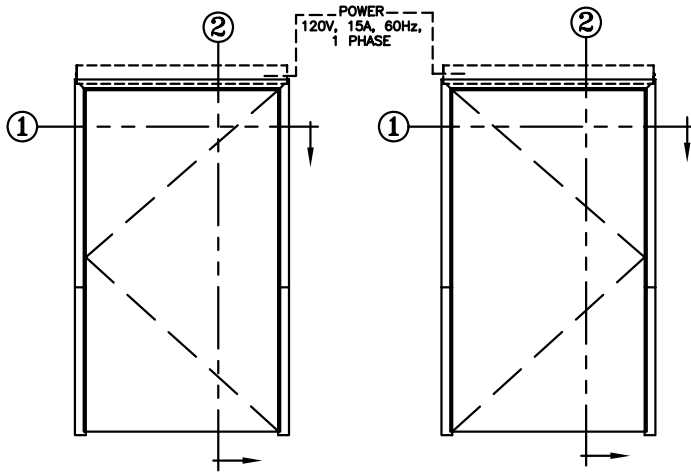
JOB NAME: _____

LOCATION: _____

LOW ENERGY SWING DOOR OPERATORS

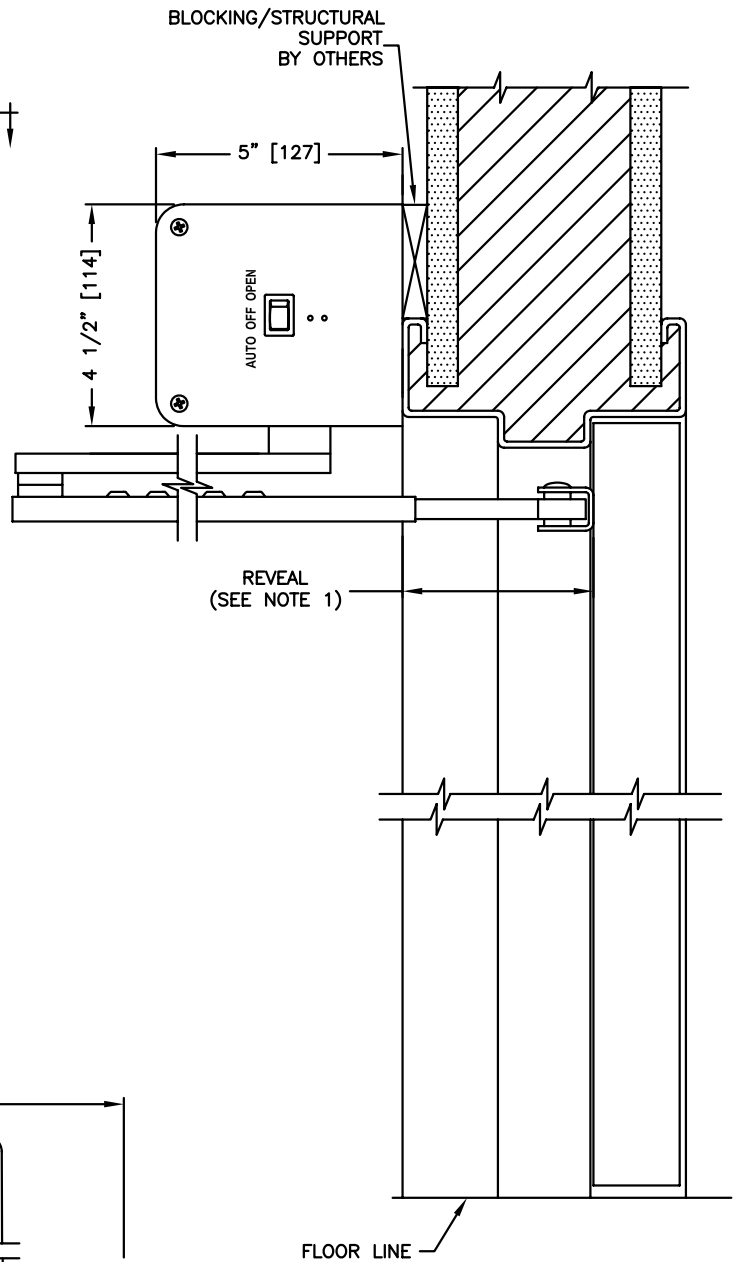
SERIES: 6100 LOW ENERGY OPERATOR
 MODEL: 6100 (RHR) 6101 (LHR),
 TYPE: OUTSWING (STANDARD ARM)

PAGE 61-2.01



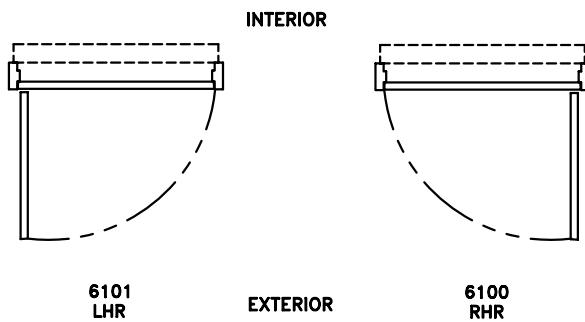
ELEVATION VIEW

SCALE: 1/4" = 1'0"



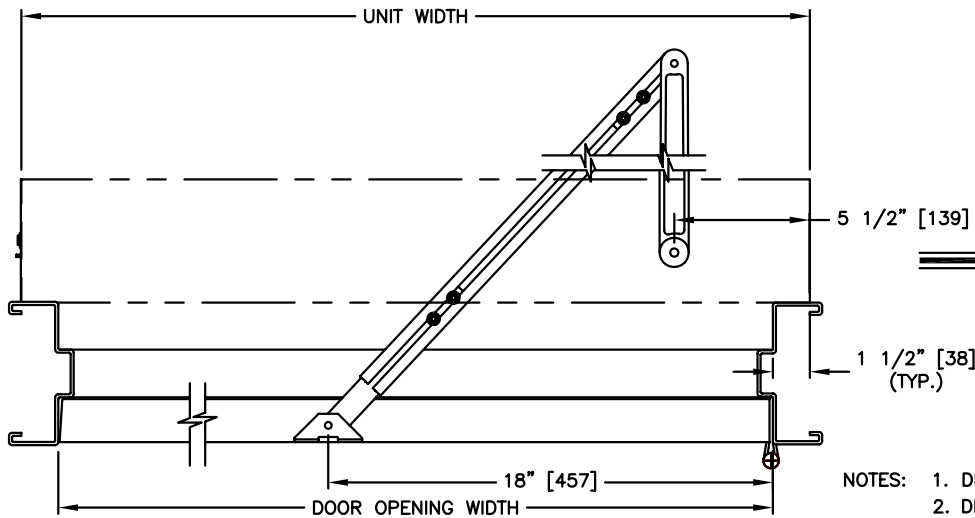
SECTION: 2

SCALE: 1/4 SIZE



PLAN VIEW

SCALE: 1/4" = 1'0"



SECTION: 1

SCALE: 1/8 SIZE

RHR SHOWN
 (LHR OPPOSITE)

- NOTES: 1. DEPTH OF REVEAL UP TO 12" [305]
 2. DIMENSIONS IN INCHES [MILLIMETERS].