



record-usa
4910 STARCREST DR.
MONROE, NC 28110
(704) 289 - 9212

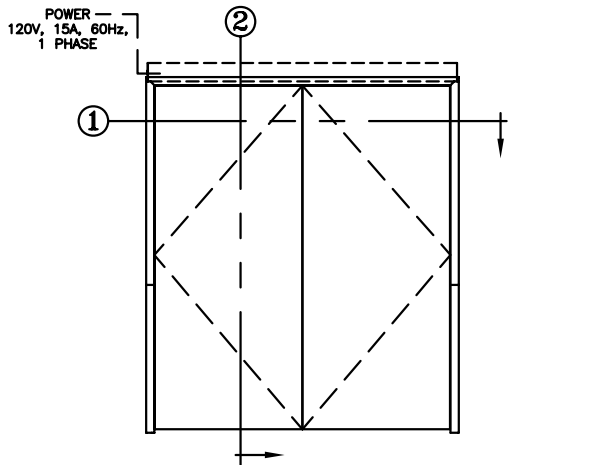
JOB NAME: _____

LOCATION: _____

AUTOMATIC SWING DOOR OPERATORS

SERIES: 8100 LOW/HIGH ENERGY OPERATOR
MODEL: 8122 (DUAL SIMULTANEOUS)
TYPE: OUTSWING (STANDARD ARM)

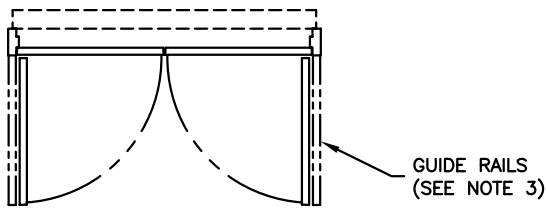
PAGE 81-2.06



ELEVATION VIEW

SCALE: 1/4" = 1'0"

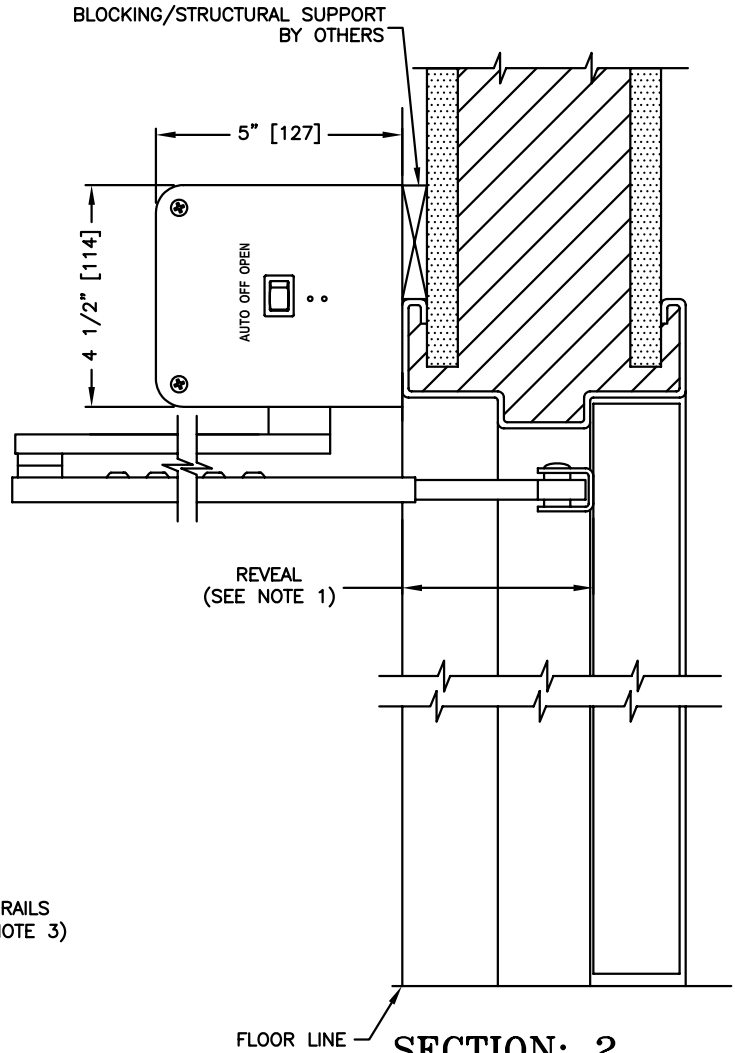
INTERIOR



EXTERIOR

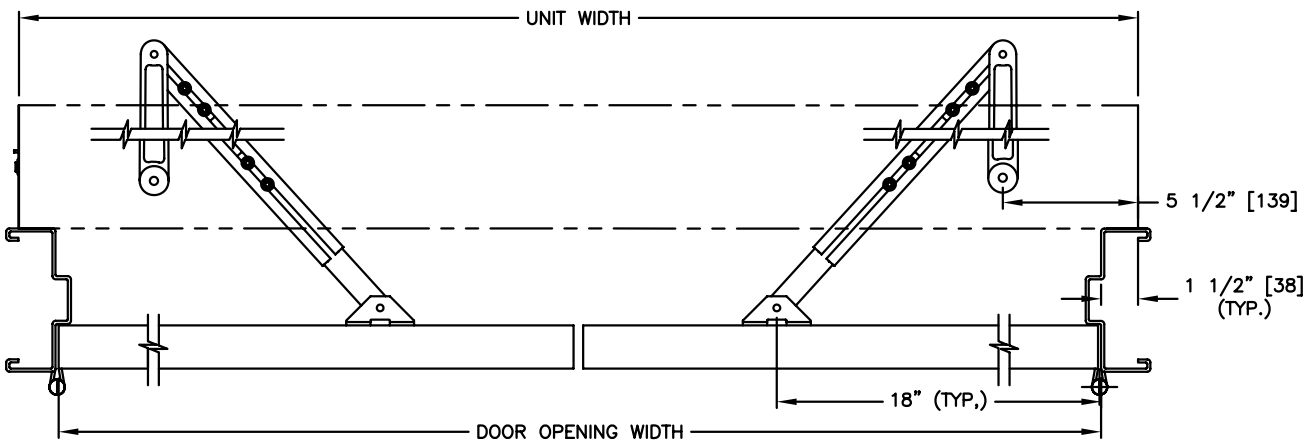
PLAN VIEW

SCALE: 1/4" = 1'0"



SECTION: 2

SCALE: 1/4 SIZE



SECTION: 1

SCALE: 1/8 SIZE

- NOTES: 1. DEPTH OF REVEAL UP TO 12" [305]
2. DIMENSIONS IN INCHES [MILLIMETERS].
3. SELECTION OF OPERATOR FROM 8100 (LOW ENERGY) TO 8000 (HIGH ENERGY) WILL DETERMINE THE NEED FOR GUIDE RAILS AND SAFETY SYSTEMS AND IS THE RESPONSIBILITY OF THE INSTALLER