



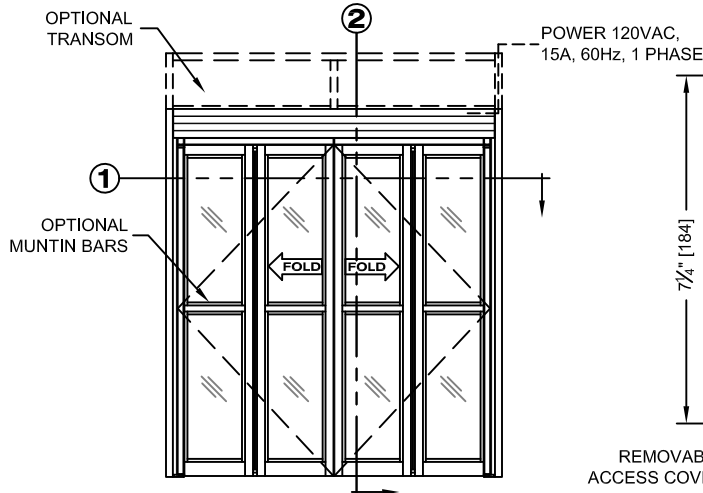
record-usa
4324 PHIL HARGETT CT.
MONROE, NC 28110
(704) 289-9212

JOB NAME: _____
LOCATION: _____

AUTOMATIC FOLDING DOOR SYSTEM

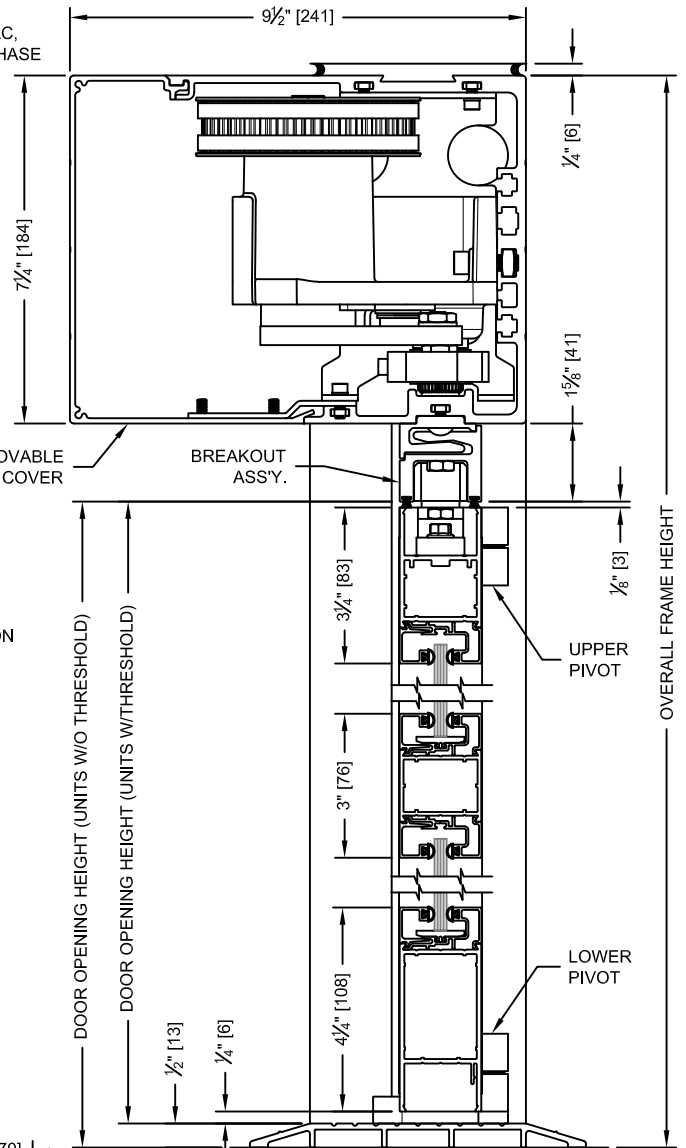
SERIES: 4500 OVERHEAD CONCEALED FOLDING DOORS
MODEL: 4500 (DUAL)
TYPE: INFOLD / BREAK OUT

PAGE 45-2.01



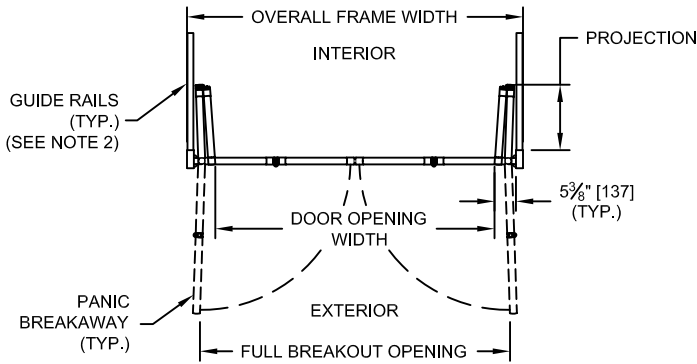
ELEVATION VIEW

SCALE: 1/4" = 1'0"



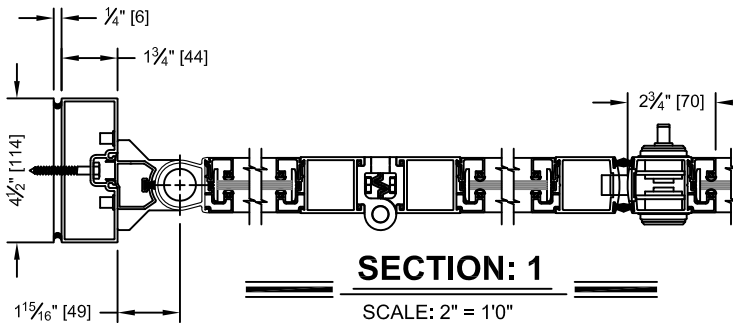
SECTION: 2

SCALE: 1/4" SIZE



PLAN VIEW

SCALE: 1/4" = 1'0"



SECTION: 1

SCALE: 2" = 1'0"

- NOTES:**
1. See sheets 45-2.05 thru 45-2.08 for optional muntins, bottom rails, glazing variations, thresholds, transoms & control panel options.
 2. Folding doors must comply with the requirements of ANSI/BHMA A156.10 for public access.

DIMENSIONS FOR STANDARD PACKAGES

OVERALL FRAME WIDTH	DOOR OPENING WIDTH	OVERALL FRAME HEIGHT	DOOR OPENING HEIGHT			FULL BREAKOUT OPENING	PROJECTION
			UNITS W/O THRESHOLD	UNITS W / 1/4" THRESHOLD	UNITS W / 1/2" THRESHOLD		
60 (1524)	45-3/4 (1162)	92 (2337)	83-1/8 (2111)	82-7/8 (2105)	82-5/8 (2099)	51 (1295)	10-3/8 (264)
72 (1829)	57-3/4 (1467)	92 (2337)	83-1/8 (2111)	82-7/8 (2105)	82-5/8 (2099)	63 (1600)	13-3/8 (340)
84 (2134)	69-3/4 (1772)	92 (2337)	83-1/8 (2111)	82-7/8 (2105)	82-5/8 (2099)	75 (1905)	16-3/8 (417)
96 (2438)	81-3/4 (2076)	92 (2337)	83-1/8 (2111)	82-7/8 (2105)	82-5/8 (2099)	87 (2210)	19-3/8 (492)

Masonry Opening is 1/4" (6) per side larger and 1/4" (6) taller than package dimensions.
Measurements given in inches (millimeters).