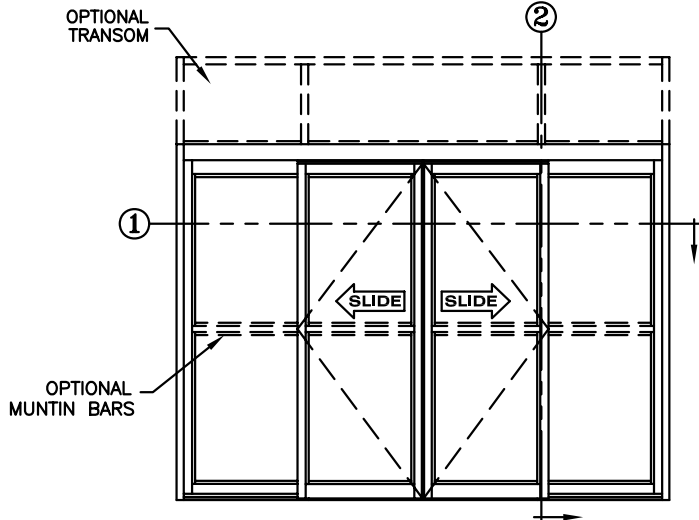




record-usa
4910 STARCREST DR.
MONROE, NC 28110
(704) 289 - 9212

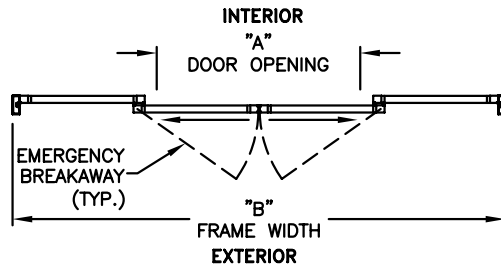
JOB NAME: _____

LOCATION: _____



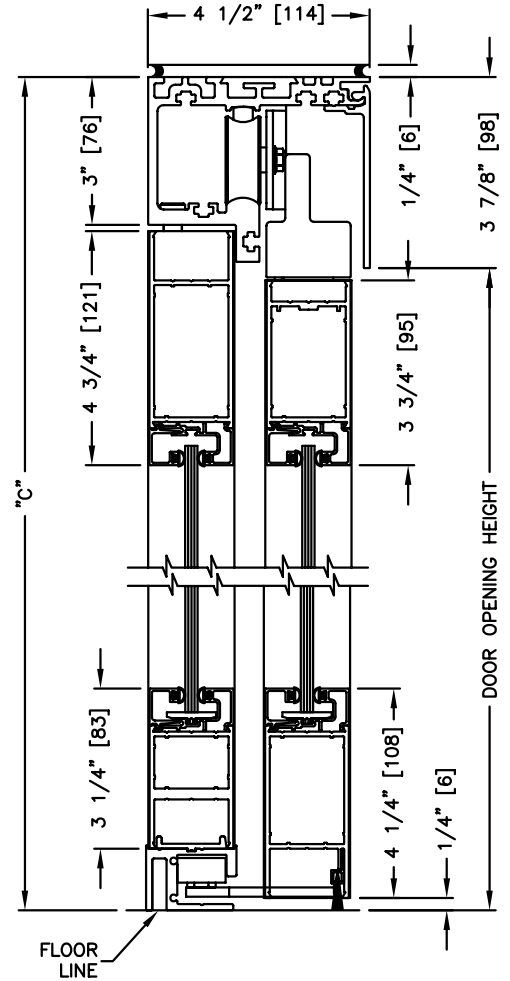
ELEVATION VIEW

SCALE: 1/4" = 1'0"



PLAN VIEW

SCALE: 1/4" = 1'0"

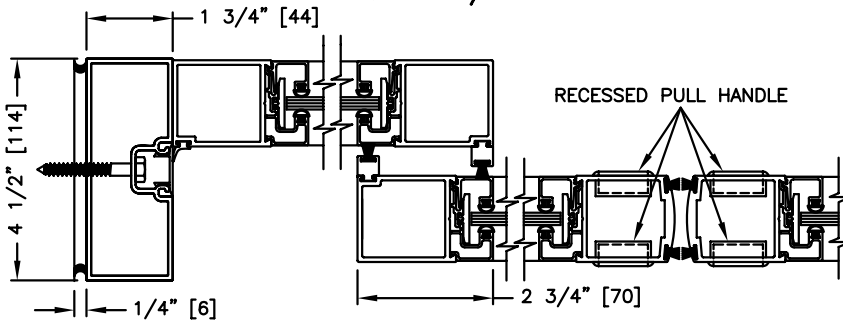


SECTION: 2

SCALE: 1/4 SIZE

NOTE:

See sheets 59-2.39 thru 59-2.45 for optional muntins, bottom rails, transoms, glazing variations, bottom guides & thresholds.



SECTION: 1

SCALE: 1/4 SIZE

DIMENSIONS FOR STANDARD NARROW STILE PACKAGES

DOOR OPENING "A"	STD. PACKAGE WIDTH "B"	STD. PACKAGE HEIGHT "C"	DOOR OPENING HEIGHT	MAX. OPENING MANUALLY
42-1/2 (1080)	108 (2743)	87 (2210)	83-1/8 (2111)	49-5/8 (1260)
48-1/2 (1232)	120 (3048)	87 (2210)	83-1/8 (2111)	55-5/8 (1413)
60-1/2 (1537)	144 (3658)	87 (2210)	83-1/8 (2112)	67-5/8 (1718)
72-1/2 (1842)	168 (4267)	87 (2210)	83-1/8 (2111)	79-5/8 (2022)
84-1/2 (2146)	192 (4877)	87 (2210)	83-1/8 (2111)	91-5/8 (2327)

Masonry Opening is 1/4" (6) per side larger and 1/4" taller than package dimensions.
Measurements given in inches (millimeters).