



AUTOMATED ENTRANCE SYSTEMS

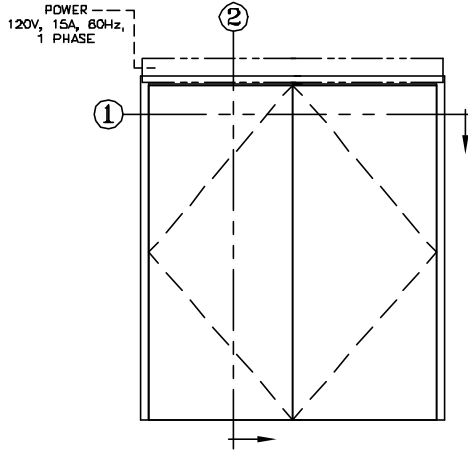
**KM SYSTEMS, INC.**

4910 STARCREST DRIVE (28110)  
P.O. BOX 3099  
MONROE, NC 28111-3099 U.S.A.

**AUTOMATIC SWING DOOR OPERATORS**

SERIES: 2000 ELECTROHYDRAULIC, FULL FEATURE  
MODEL: 2022 (DUAL SIMULTANEOUS)  
TYPE: OUT SWING (PUSH ARM)

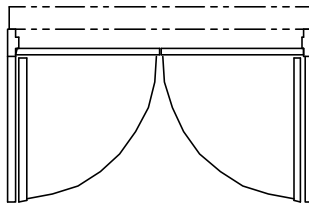
PAGE 20-2.05



**ELEVATION VIEW**

SCALE: 1/4" = 1'0"

INTERIOR

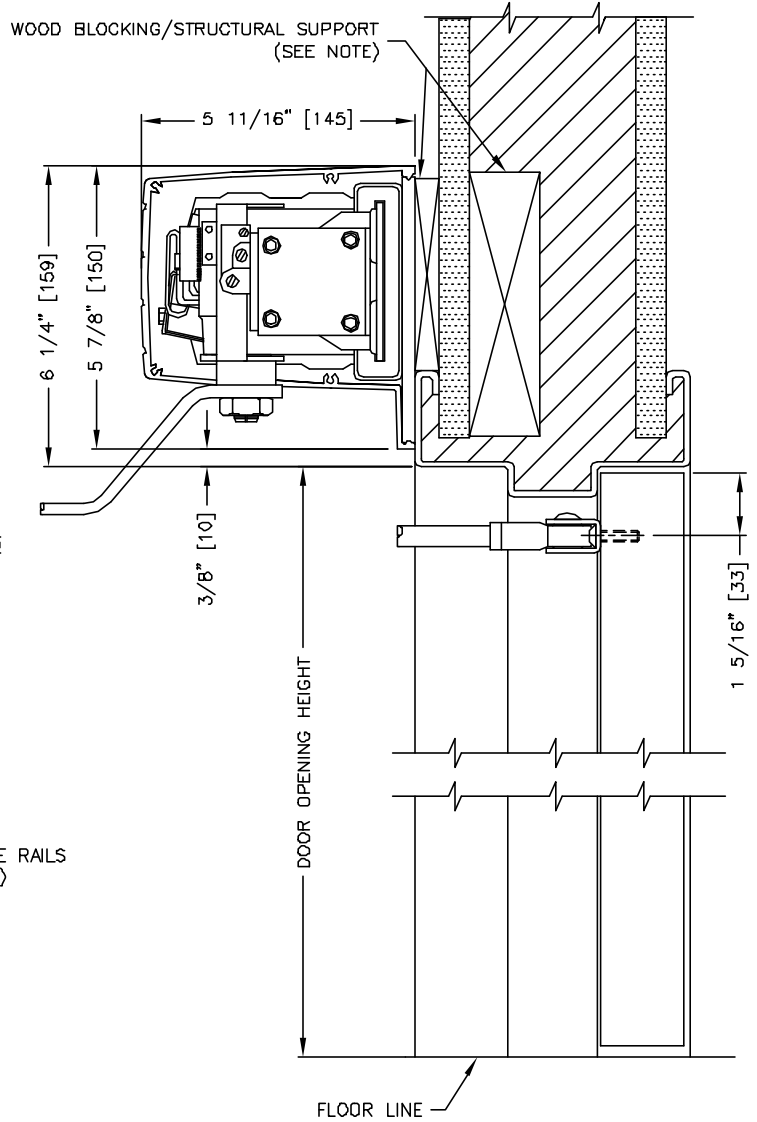


EXTERIOR

GUIDE RAILS  
(TYP.)

**PLAN VIEW**

SCALE: 1/4" = 1'0"

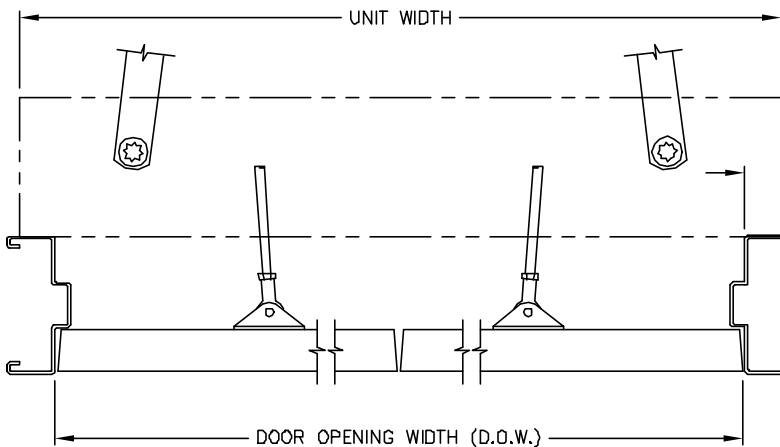


FLOOR LINE

**SECTION: 2**

SCALE: 1/4 SIZE

1 1/2" [38]  
TYP.



**SECTION: 1**

SCALE: 1/8 SIZE

NOTE: WOOD BLOCKING/STRUCTURAL SUPPORT  
FOR DOOR OPERATOR (BY OTHERS)

MEASUREMENTS GIVEN IN INCHES [MILLIMETERS].