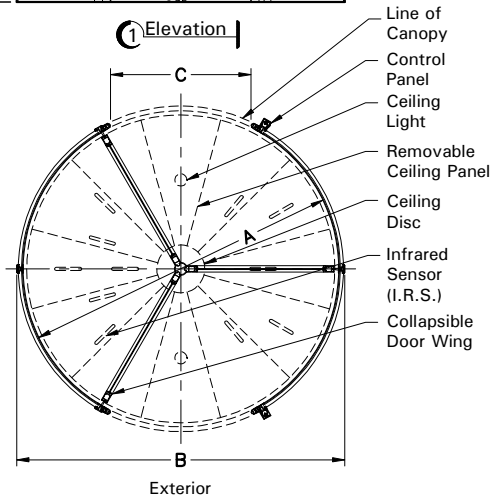
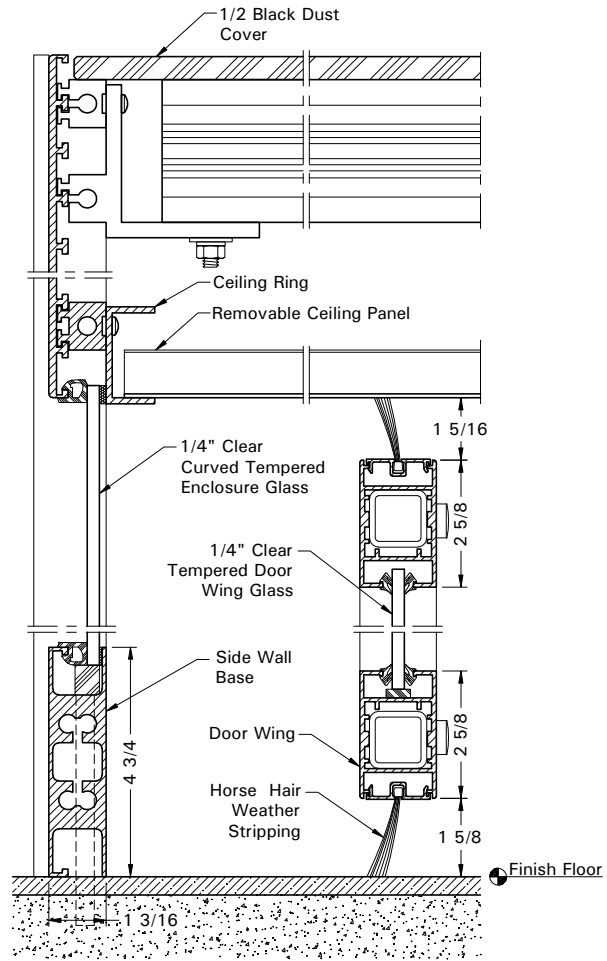


① Elevation



② Plan View



③ Vertical Sections

### Standard Door Sizes

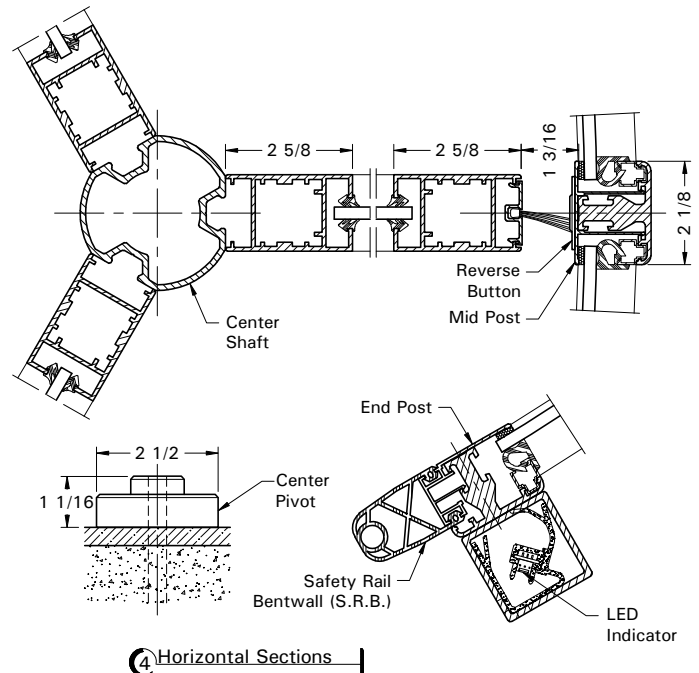
Inside Diameter "A"	Outside Net Frame "B"	Throat Opening "C"
5'-6"	5'-9"	2'-4 5/8"
7'-0"	7'-3"	3'-1 5/8"

### Options:

- Extended Canopy Heights (Contact Factory)

### Installation:

Door Installs on Finish Floor (No recess, rings, or cutouts required).  
Floor Must Be Dead Level.  
Power Supply from Above.  
Door Ties to Adjacent Storefront or Curtain-Wall System for Lateral Stability.  
Adjacent Construction Not to Bear Down on Any Part of Revolving Door.



④ Horizontal Sections