



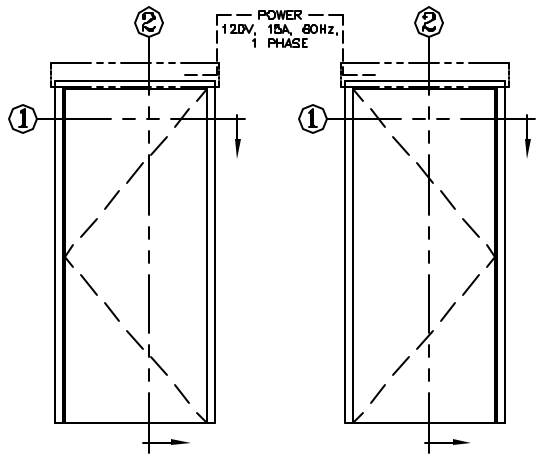
AUTOMATED ENTRANCE SYSTEMS

# KM SYSTEMS, INC.

4910 STARCREST DRIVE (28110)  
P.O. BOX 3099  
MONROE, NC 28111-3099 U.S.A.

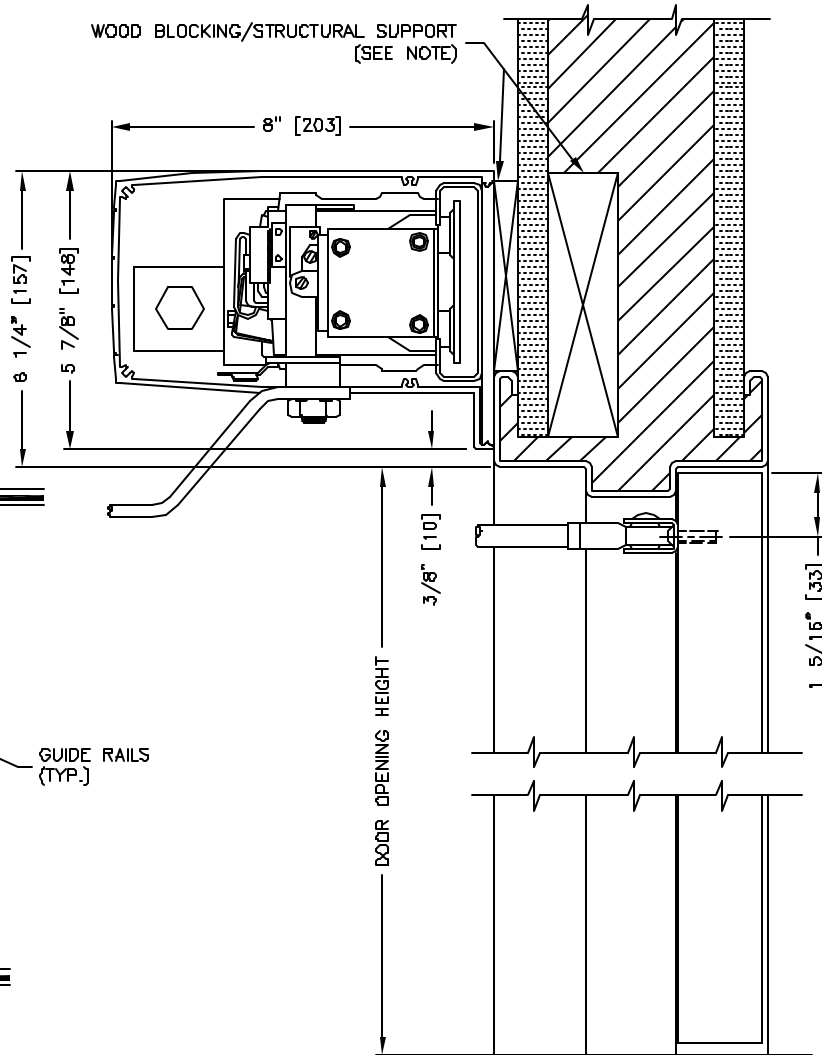
# INDUSTRIAL SWING DOOR OPERATORS

SERIES: 2500 ELECTROHYDRAULIC, POWER OPEN/POWER CLOSE  
MODEL: 2500 (LEFT HAND), 2502 (RIGHT HAND)  
TYPE: OUT SWING (PUSH ARM) PAGE 25-2.01



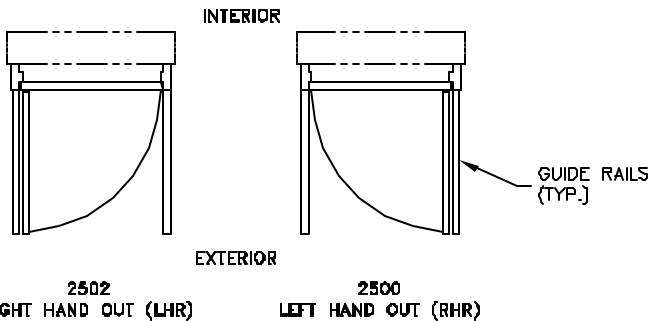
## ELEVATION VIEW

SCALE: 1/4" = 1'0"



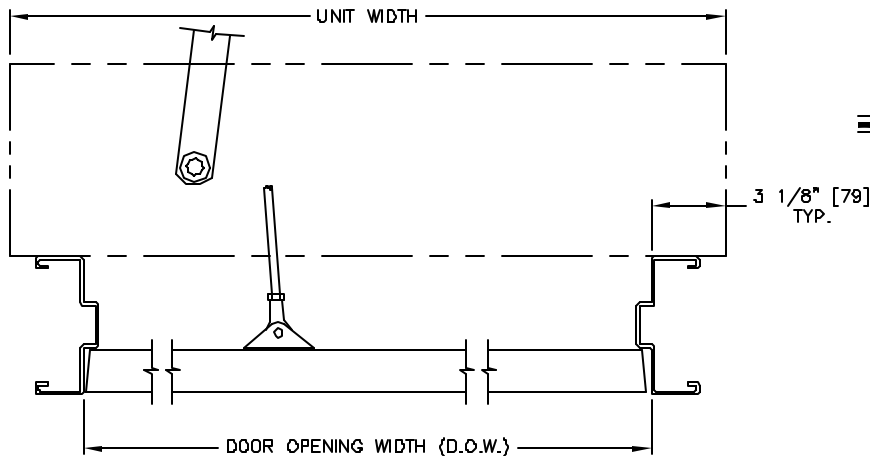
## SECTION: 2

SCALE: 1/4 SIZE



## PLAN VIEW

SCALE: 1/4" = 1'0"



## SECTION: 1

SCALE: 1/8 SIZE

**NOTE:** WOOD BLOCKING/STRUCTURAL SUPPORT FOR DOOR OPERATOR (BY OTHERS)

LHR (2502 RH OUT) SHOWN.  
RHR (2500 LH OUT) OPPOSITE.

MEASUREMENTS GIVEN IN INCHES [MILLIMETERS].