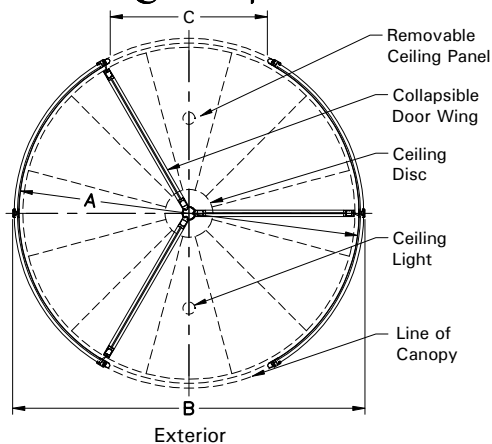
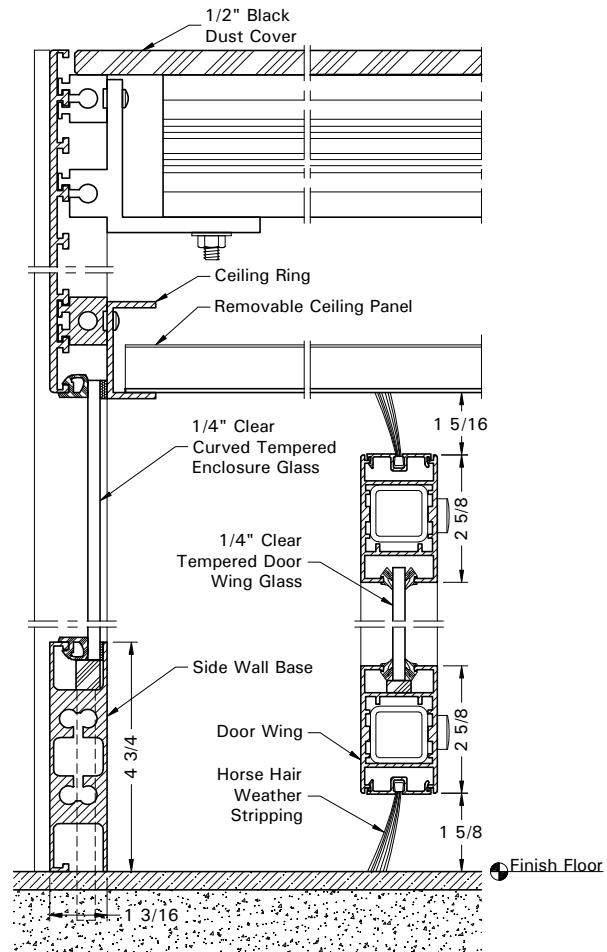


① Elevation



② Plan View



③ Vertical Sections

**Standard Size Doors**

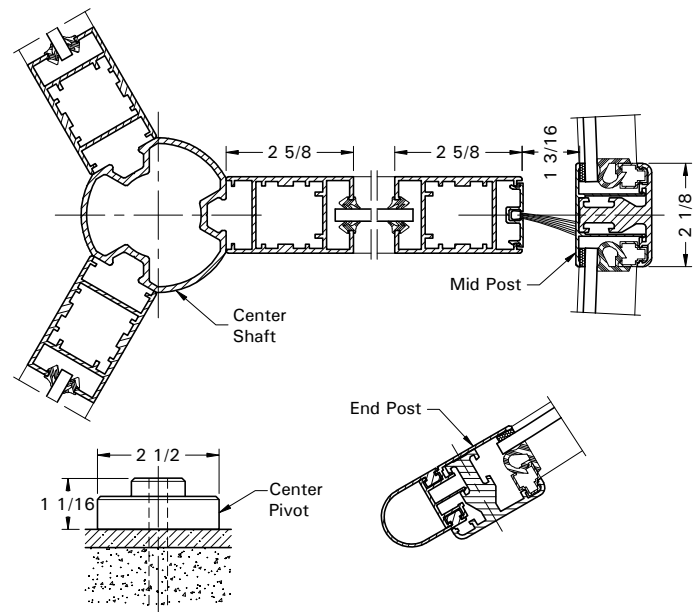
Inside Diameter "A"	Outside Net Frame "B"	Throat Opening "C"
7'-0"	7'-3"	3'- 1 5/8"
7'-6"	7'-9"	3'-4 5/8"
8'-0"	8'-3"	3'-7 5/8"

**Options:**

- Ceiling Lights (120 V Power from Above)
- Extended Door Heights (Contact Factory)
- Extended Canopy Heights (Contact Factory)
- Slidebolt lock
- 2 Point Lock
- Medium Style Door Wing
- Electric Locking with Post Mounted Control

**Installation:**

Door Installs on Finish Floor (No recess, rings, or cutouts required)  
Floor Must Be Dead Level.  
Door Ties to Adjacent Storefront or Curtain-Wall System for Lateral Stability.  
Adjacent Construction Not to Bear Down on any Part of Revolving Door.



④ Horizontal Sections