



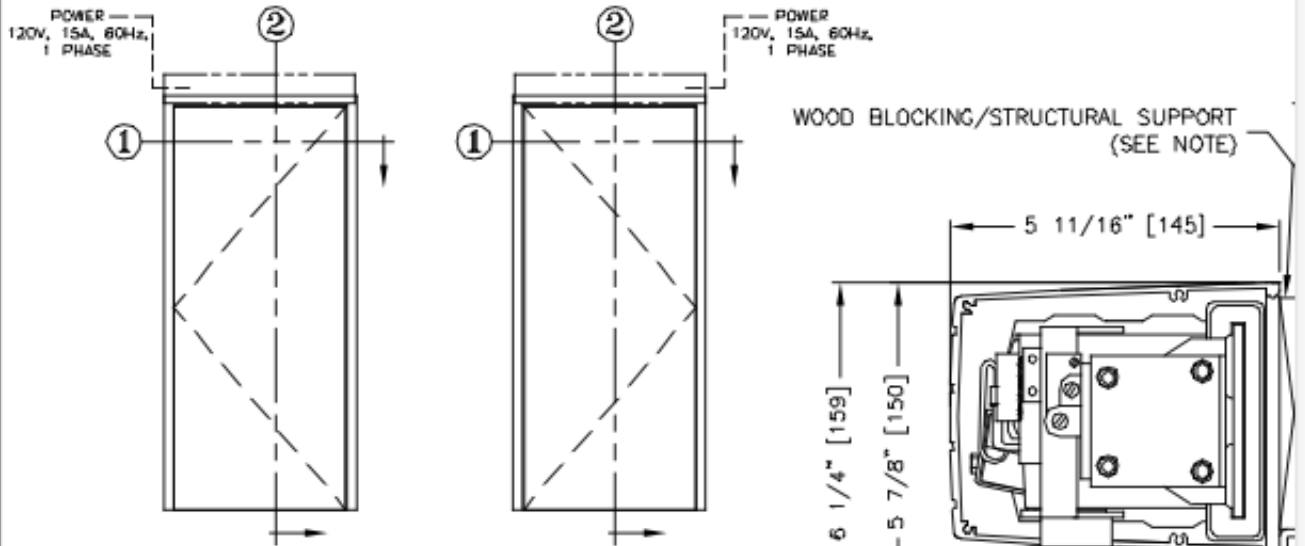
AUTOMATED ENTRANCE SYSTEMS

KM SYSTEMS, INC.

4910 STARCREST DRIVE (28110)
P.O. BOX 3099
MONROE, NC 28111-3099 U.S.A.

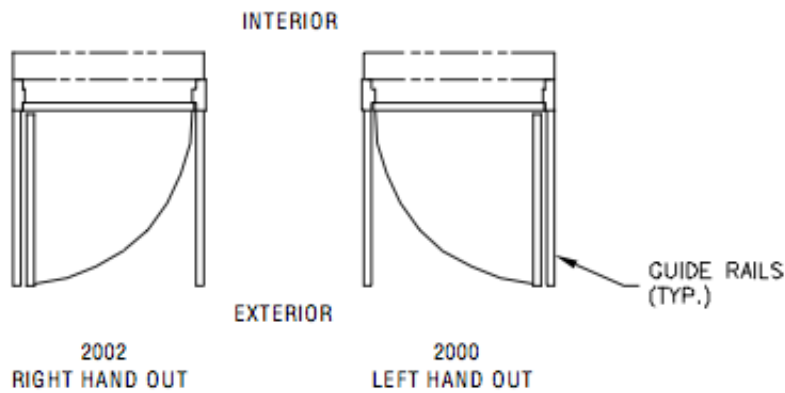
AUTOMATIC SWI

SERIES: 2000 ELECTROHYDRAU
MODEL: 2000 (LEFT HAND), 2002
TYPE: OUT SWING (PUSH ARM)



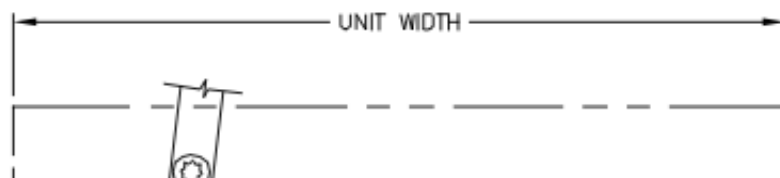
ELEVATION VIEW

SCALE: 1/4" = 1'0"

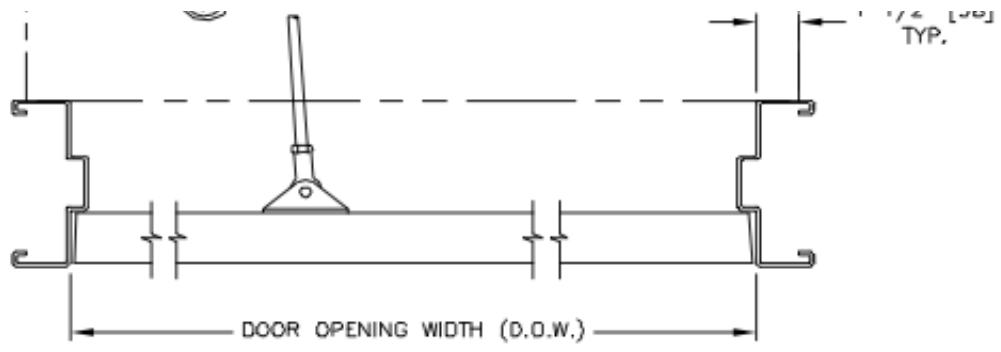


PLAN VIEW

SCALE: 1/4" = 1'0"



FLOOR LINE
S
SC



NOTE: WOOD
FOR D

RH
LH

SECTION: 1
SCALE: 1/8 SIZE

MEASUREMENTS

